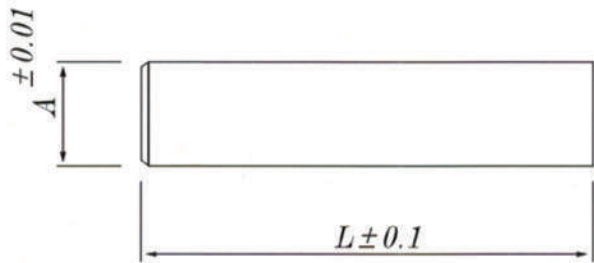




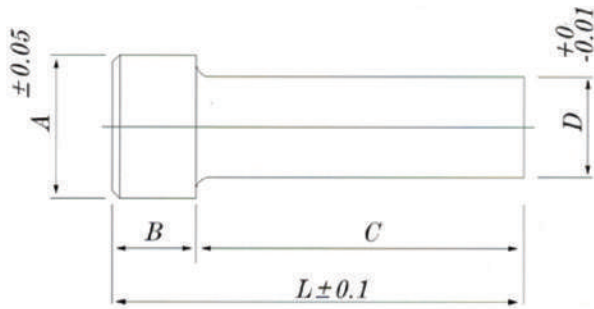
4. PUNCH & PIN

PIN



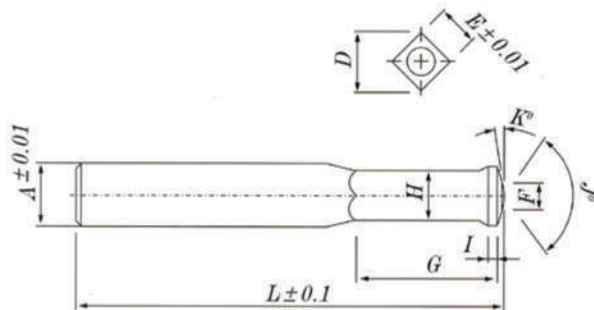
Dimension				
A				
L				
Material (HRC)				

K.O PIN (T-TYPE PUNCH)



Dimension				
A		B		C
D		L		
Material (HRC)				

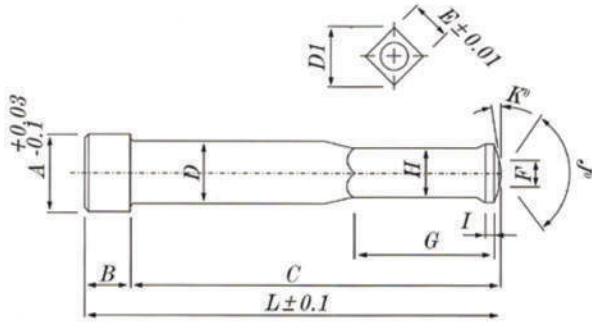
SQUARE HEAD PUNCH



Dimension				
A		L		E
D		G		I
H		F		J
K				
Material (HRC)				

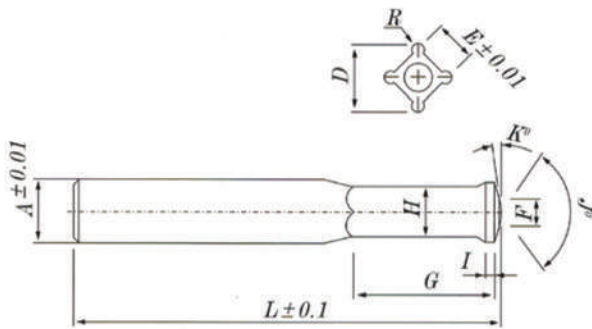
* All drawings are for reference only. All drawings and its tolerances can be customized.

T-TYPE SQUARE HEAD PUNCH



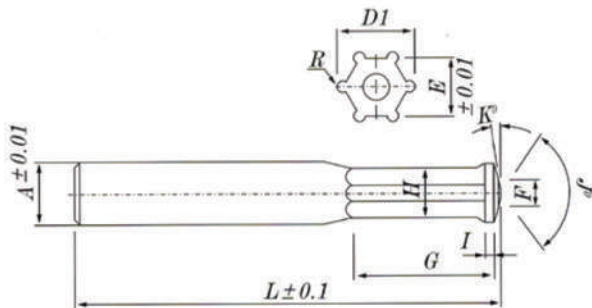
Dimension			
A		B	C
D		L	E
D ₁		G	I
H		F	J
K			
Material (HRC)			

R-TYPE SQUARE HEAD PUNCH



Dimension			
A		L	E
D		G	I
H		F	J
K		R	
Material (HRC)			

R-TYPE HEX HEAD PUNCH

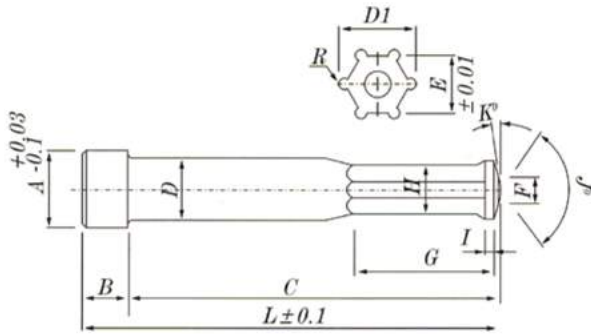


Dimension			
A		L	E
D		G	I
H		F	J
K		R	
Material (HRC)			

* All drawings are for reference only. All drawings and its tolerances can be customized.

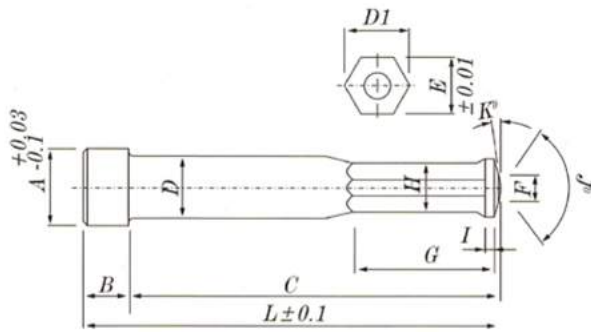


T-TYPE HEX HEAD PUNCH



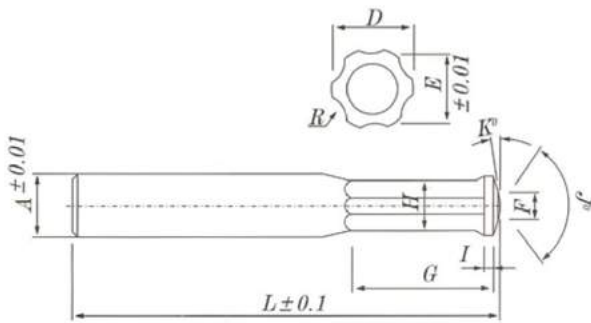
Dimension			
A	B	C	
D	L	E	
D ₁	G	I	
H	F	J	
K	R		
Material (HRC)			

T-TYPE HEX HEAD PUNCH



Dimension			
A	B	C	
D	L	E	
D ₁	G	I	
H	F	J	
K			
Material (HRC)			

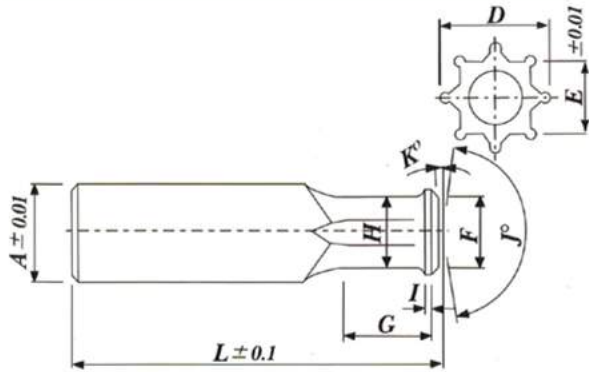
ARC HEX HEAD PUNCH



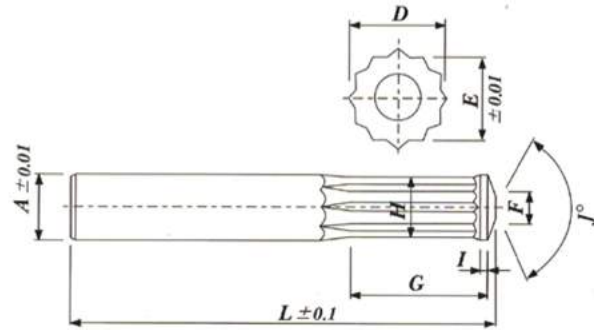
Dimension			
A	L	E	
D	G	I	
H	F	J	
K	R		
Material (HRC)			

* All drawings are for reference only. All drawings and its tolerances can be customized.

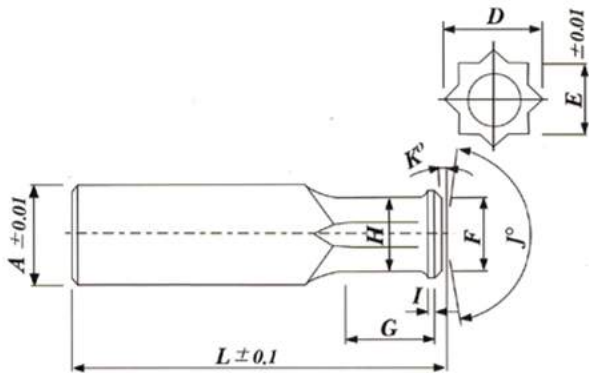
R8-POINTS PIN



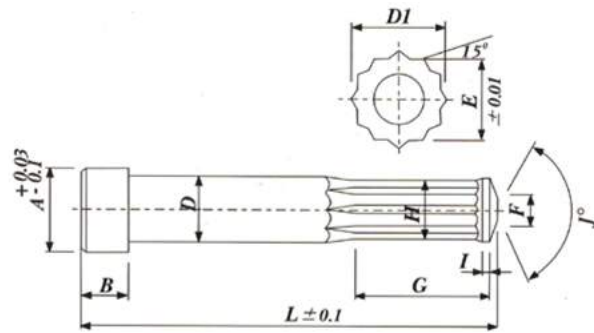
12-POINTS PIN



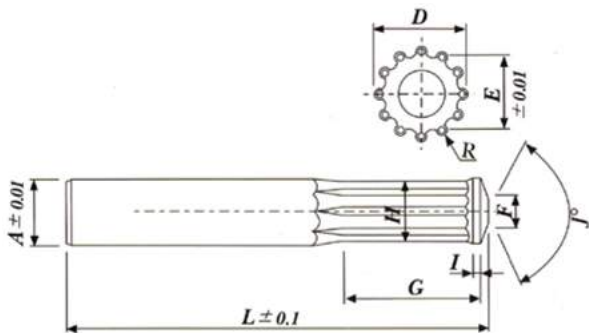
8-POINTS PIN



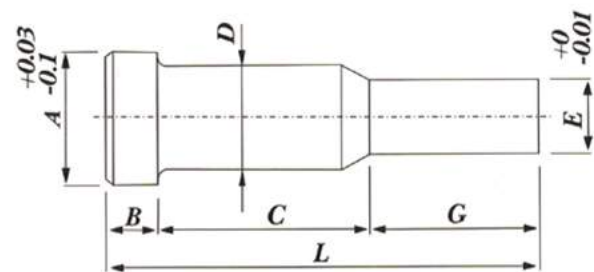
T12-POINTS PIN



R12-POINTS PIN



SHOULDER PIN

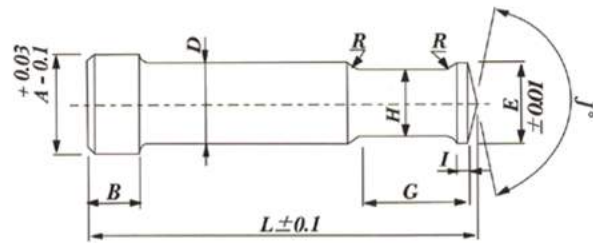
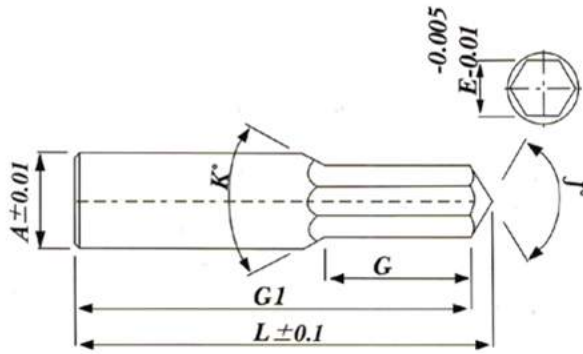


* All drawings are for reference only. All drawings and its tolerances can be customized.



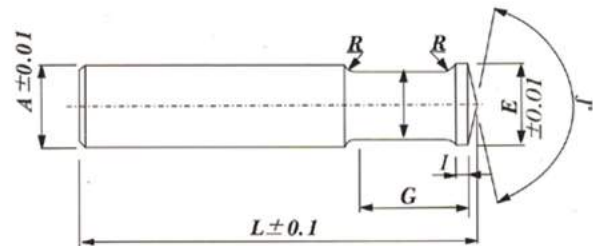
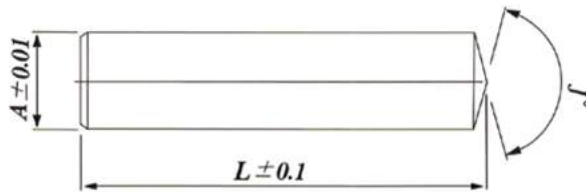
HEX.PIN

T-PIERCING PIN



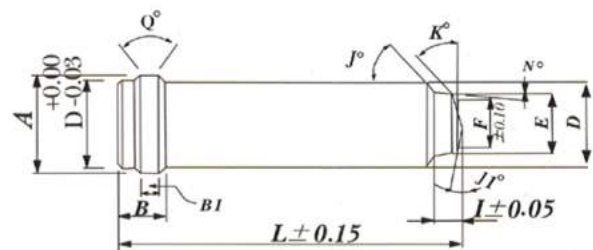
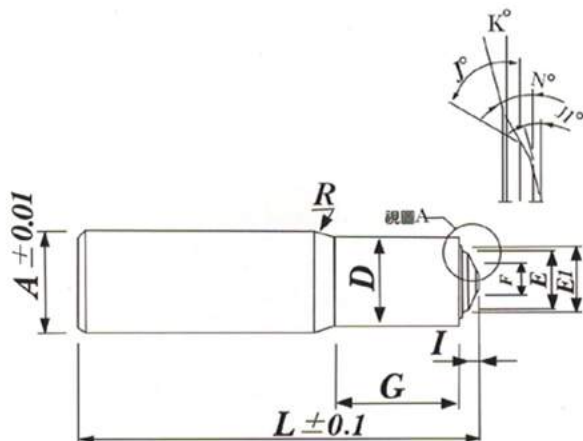
CENTER PIN

PIERCING PIN



FRONT PUNCH

REAR PUNCH



* All drawings are for reference only. All drawings and its tolerances can be customized.